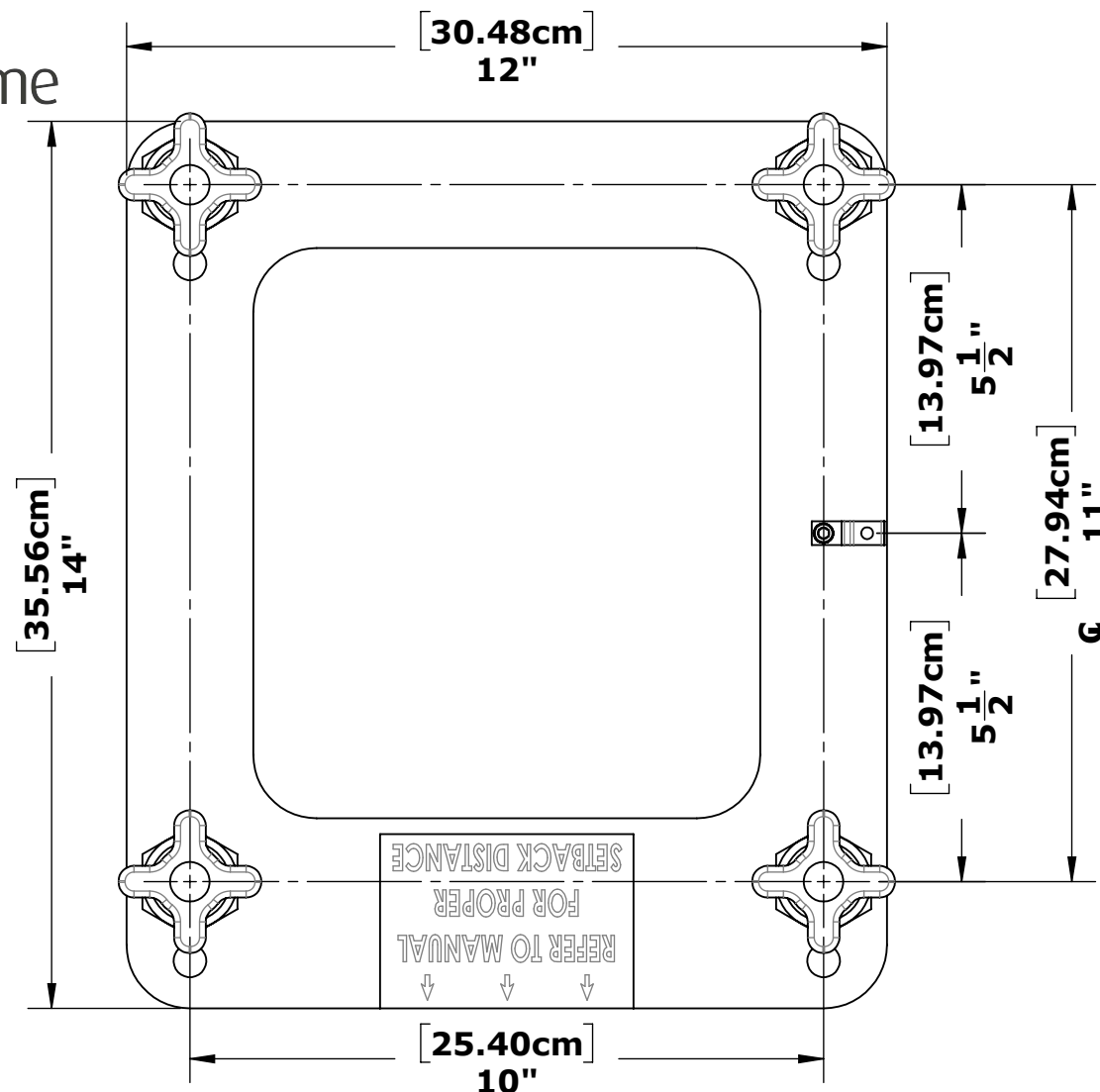


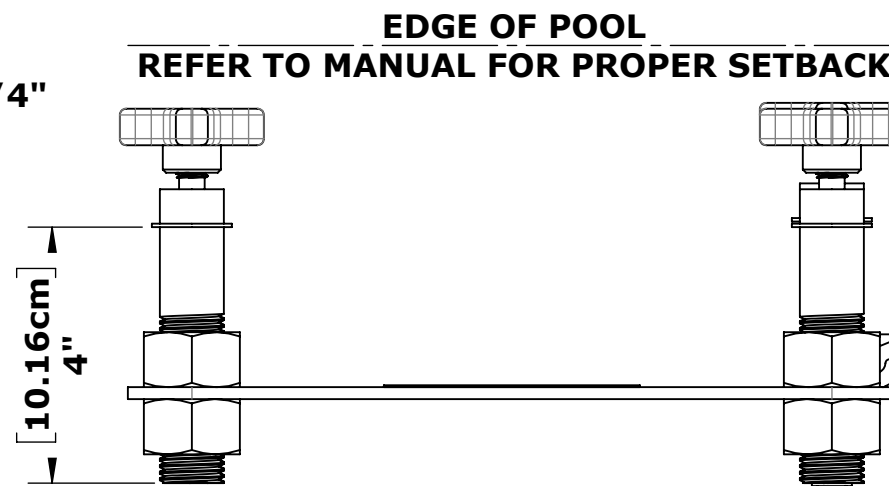
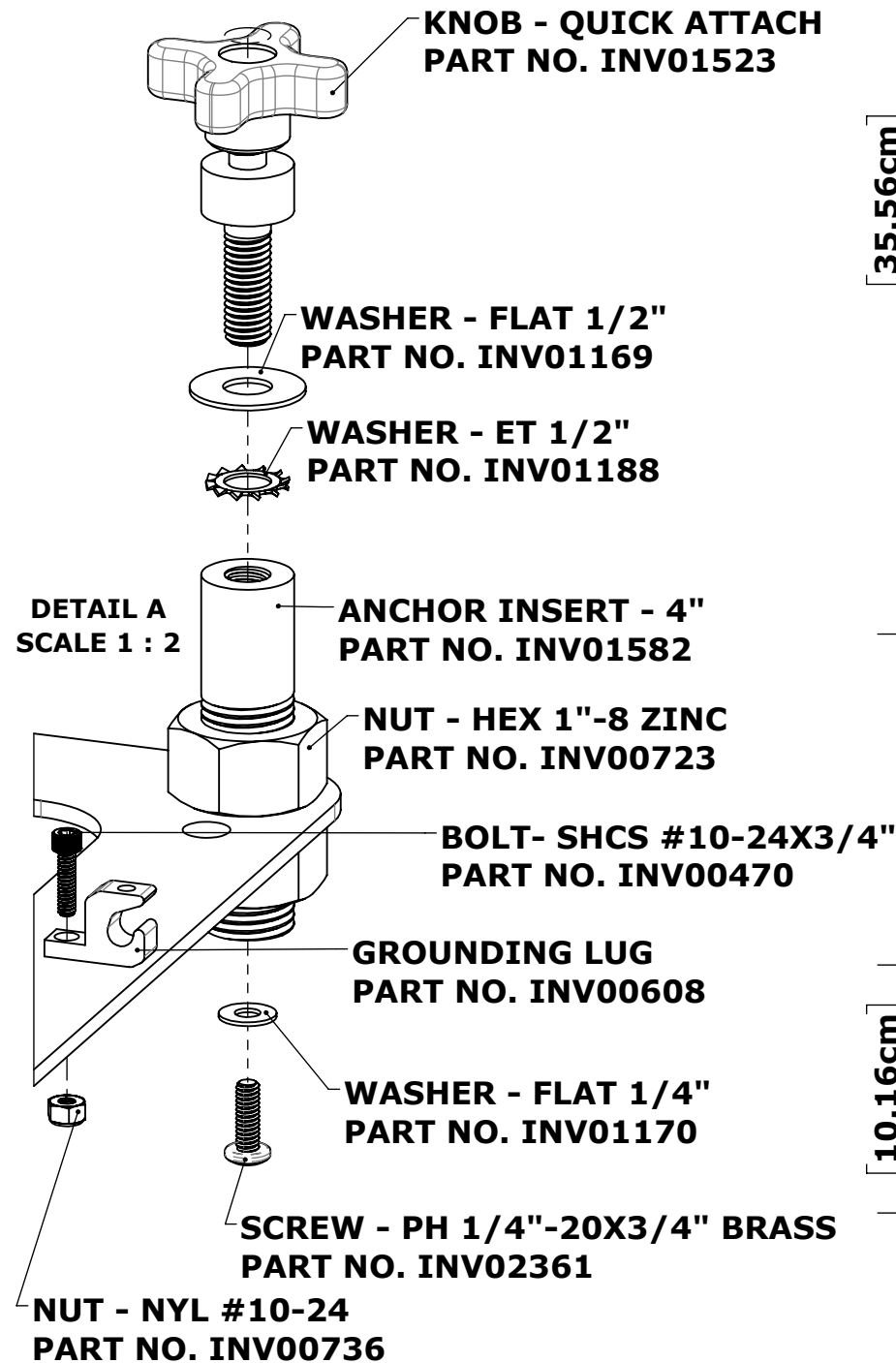
TOLERANCES

DIMENSIONS ARE IN INCHES UNLESS OTHERWISE SHOWN
 FRACTIONAL: ±1/16
 ANGULAR: ±1°
 TWO PLACE DECIMAL: ±.01
 THREE PLACE DECIMAL: .. ±.005

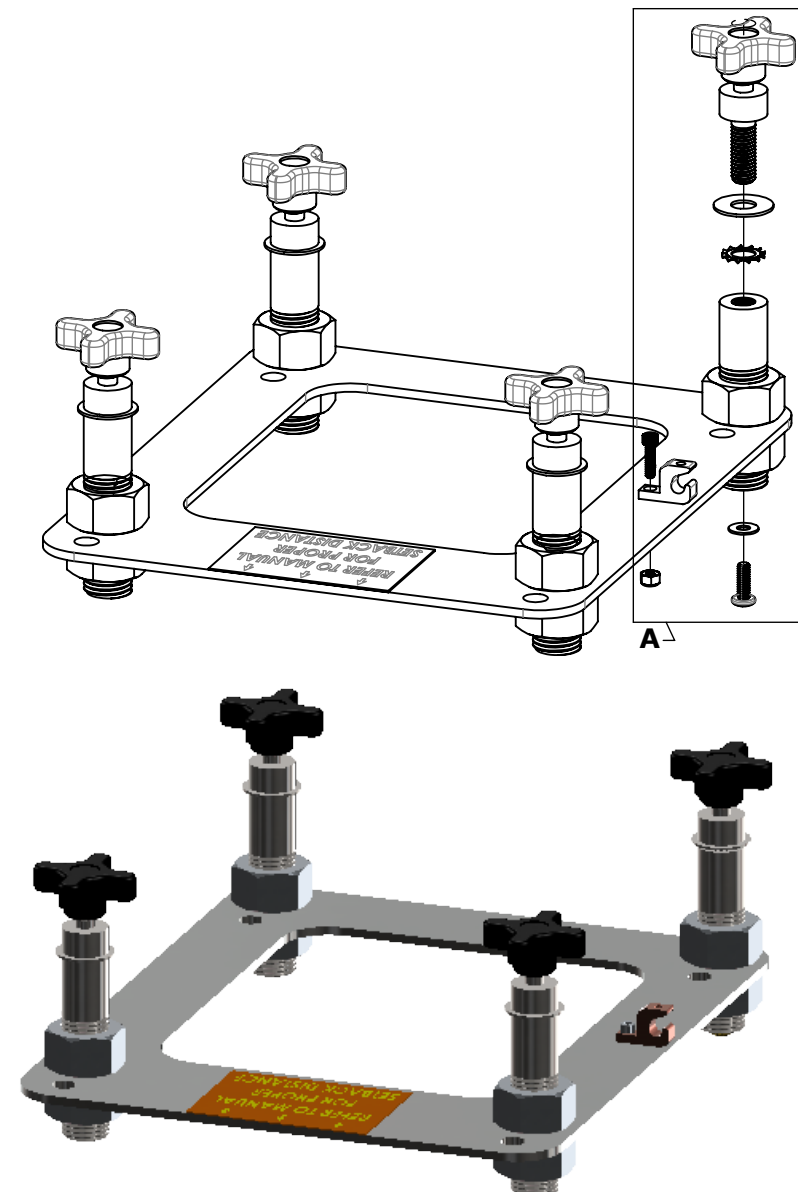


SPECIFICATIONS:

THE AT ANCHOR JIG PLATE ASSEMBLY PROVIDES SEVERAL ANCHORING SOLUTIONS FOR ALL AQUA CREEK AT-SERIES LIFTS; INCLUDING THE PRO POOL-AT & RANGER-AT. THE AT ANCHOR JIG PLATE ASSEMBLY CAN BE USED FOR EXISTING OR NEW CONSTRUCTION POOL & SPA DECKS. FOR NEW CONSTRUCTION THE ANCHOR JIG PLATE IS EMBEDDED IN THE CONCRETE DECK AND IS BONDED USING A SOLID COPPER DIRECT BURIAL TYPE LUG. FOR EXISTING DECKS THE JIG PLATE ACTS AS A TEMPLATE AND A HOLDING FIXTURE. SEE THE LIFT'S OWNERS MANUAL FOR INSTALLATION INSTRUCTIONS & DIMENSIONS.



ANCHOR - EMBEDDED 4IN. OPTIONS/ACCESSORIES PART NO. F-046QAB-AT1



MATERIAL: STEEL
 FINISH: MILL
 APPROX. WEIGHT: 12.05 LBS.



9889 GARRYMORE LANE
 MISSOULA, MT 59808
 (406) 549-0769
 FAX (406) 549-2602
 www.AquaCreek.com

PROPRIETARY AND CONFIDENTIAL INFORMATION

THIS DRAWING AND ALL INFORMATION CONTAINED HEREIN IS THE SOLE PROPERTY OF AQUA CREEK PRODUCTS LLC. ANY REPRODUCTION IN PART OR AS A WHOLE WITHOUT WRITTEN PERMISSION FROM AQUA CREEK IS PROHIBITED.

*SPECIFICATIONS ARE SUBJECT TO CHANGE WITHOUT NOTICE

| REVISIONS | | | |
|-----------|--------------------|-----------|-----------|
| REV. | DESCRIPTION | DATE | APPROVED |
| P1 | PRODUCTION RELEASE | 5/27/2021 | J.MAXWELL |

MODEL P1 REVISION

ANCHOR - EMBEDDED 4IN. - F-046QAB-AT1

51-163-220

SCALE 1:3

SHEET 1